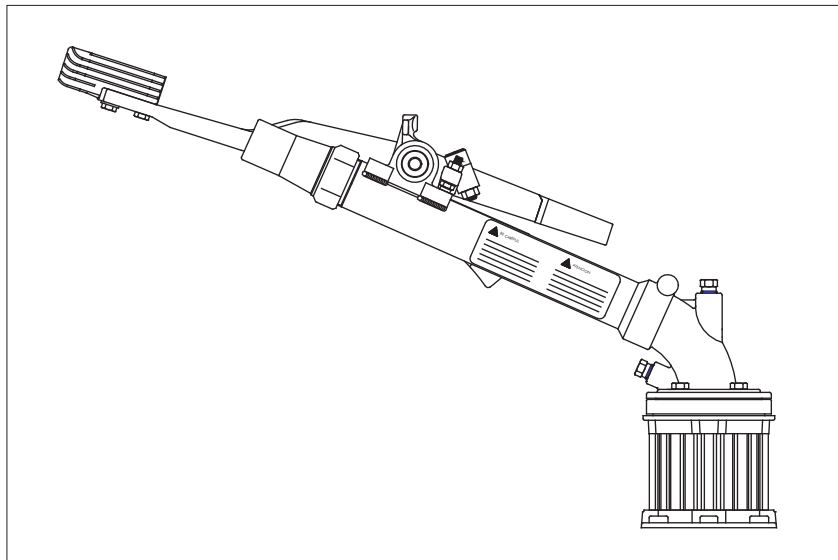


innovation in irrigation™



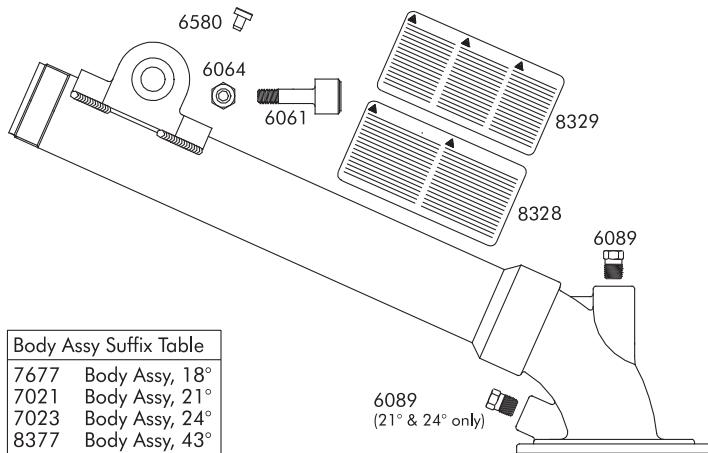
F100 BIG GUN®

F100 BIG GUN® PARTS LIST



XXXX BODY ASSEMBLY

(See Suffix Table)



Body Assy Suffix Table	
7677	Body Assy, 18°
7021	Body Assy, 21°
7023	Body Assy, 24°
8377	Body Assy, 43°

XXXX

part number
6061
6064
6089
6580
8328
8329

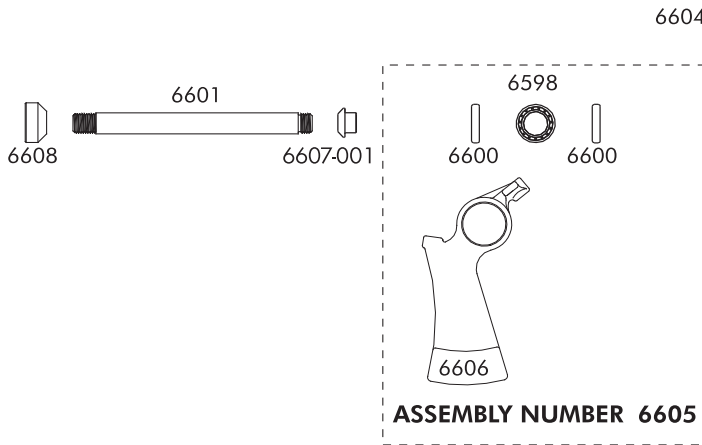
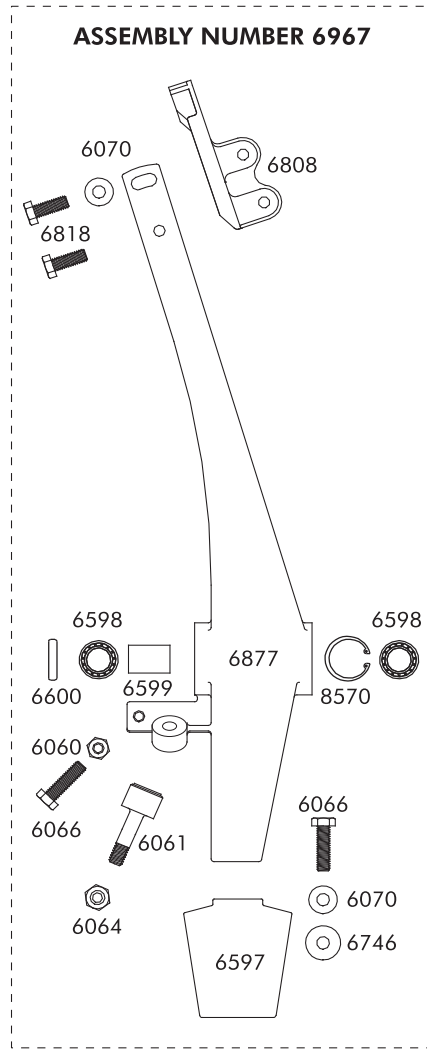
BODY ASSEMBLY, F100

description
Bumper Assembly
Nut, 5/16-18 Finished Hex
3RN Plug
Insert, Rest Pad
Label, Warning — English, Spanish
Label, Warning — German, French, Swedish

qty.
1
1
2
1
1
1
1

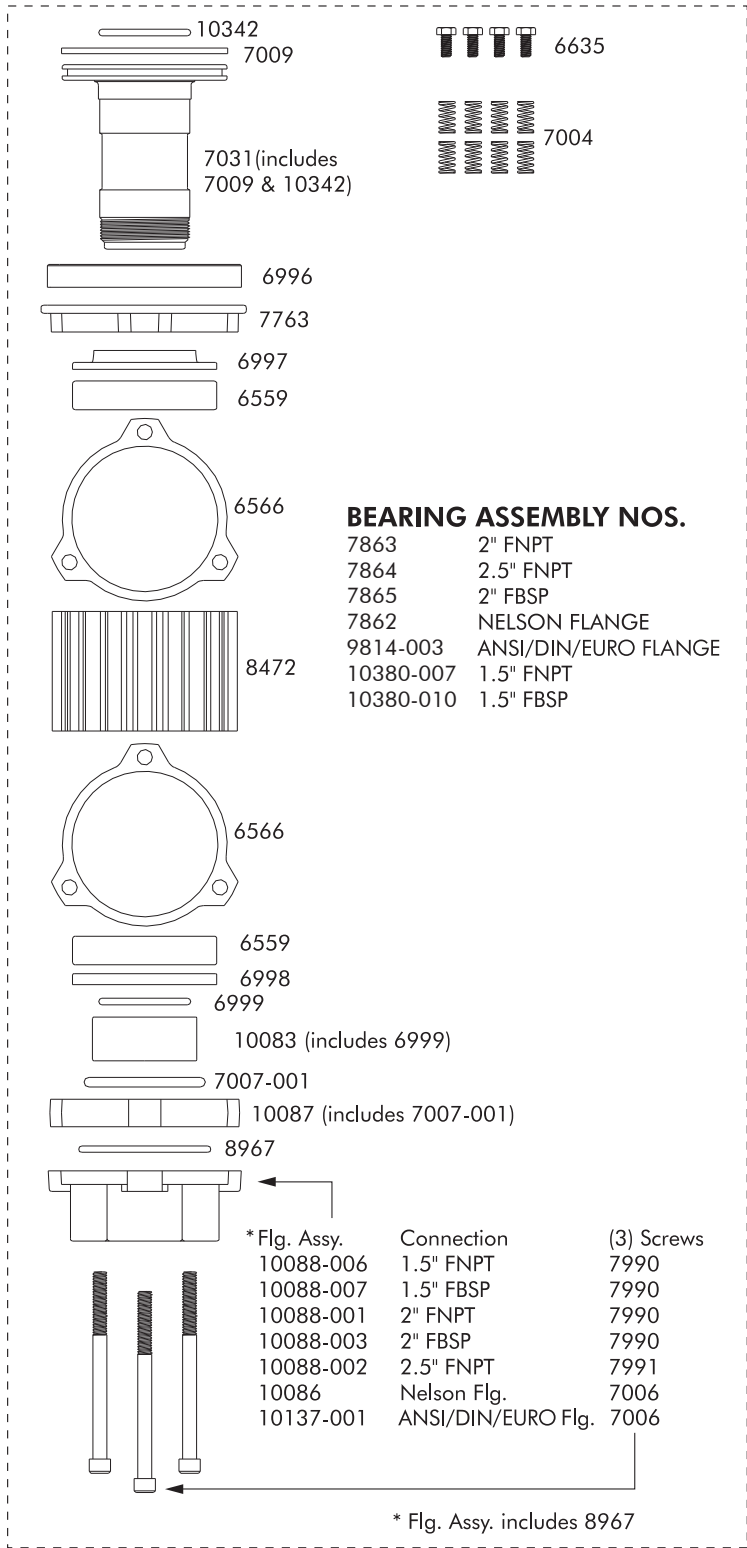
6967	DRIVE ARM ASSEMBLY, F100	
6060	Nut, .25-20 Finished Hex	1
6061	Bumper Assembly	1
6064	Nut, 5/16-18 Finished Hex	1
6066	Screw, .25-20 x 1.00" Hex Head Cap	2
6070	Washer, .25" Plain — .281 x .625 x .065	2
6597	Weight, Drive Arm — F100	1
6598	Bearing, Ball, 12 x 32 x 10mm	2
6599	Spacer, Arm Bearing — F100	1
6600	Seal, Oil	1
6746	Washer, Drive Arm Weight — F100	1
6808	Spoon, Drive — F100	1
6818	Screw, .25-20 x .75" Hex Head Cap	2
6877	Arm, Drive — F100	1
8570	Ring, Retaining, -125 Basic Internal, Coated	1

6605	COUNTERWEIGHT ASSEMBLY, F100	
part number	description	qty.
6598	Bearing, Ball, 12 x 32 x 10mm	1
6600	Seal, Oil	2
6606	Counterweight — F100	1



FINAL ASSEMBLY COMPONENTS

part number	description	qty.
6563	O-Ring, -024	1
6565	Ring, Retaining, -125 Basic Int	1
6601	Shaft, Drive Arm — F100	1
6603	Nut, 7/16-20 Special	1
6604-001	Spacer, Arm to Cwt — F100	1
6607-001	Spacer, Cone, Teflon Coated	1
6608	Nut, .438-20 Centering — F100	1
10067-001	Cap Assy, Arm Bearing — SR100	1

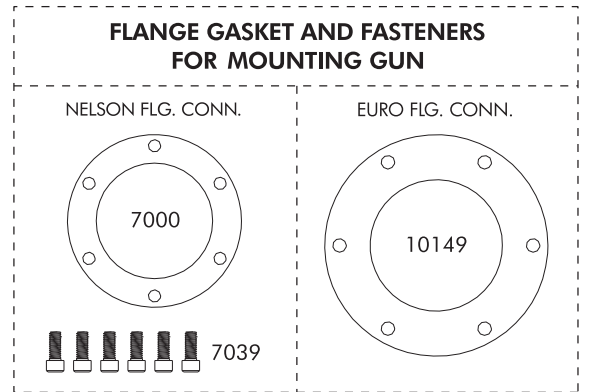


BEARING ASSEMBLY, F100

part number	description	qty.
6559	Bearing, Ball, 50 x 80 x 16mm	2
6566	Gasket, Housing - HD100	2
6635	Screw, .3125 - 18 x .688" Hex Hd Cap	4
6996	Ring, Brake - HD100	1
6997	Seal, Upper - HD100	1
6998	Seal, Center - HD100	1
6999	O-Ring, -224	1
7004	Spring, Brake - HD100	8
7006	Screw, .312-18 x 3.50" Hex Skt Hd Cap	3
7007	O-Ring, -331, Special	1
7009	Seal, Dust - HD100	1
7031	Shaft Assembly - HD100	1
7763	Cover, Full Circle - HD100	1
7990	Screw, .312-18 x 4.25" Hex Hd Cap	3
7991	Screw, .312-18 x 4" Hex Skt Hd Cap	3
8472	Housing - HD100	1
8967	O-Ring -231, Special	1
10083	Retainer Assembly - HD100	1
10086	Flange Assembly, Nelson	1
10087	Spacer Assembly - HD100	1
10088-001	Flange Assembly, 2" FNPT	1
10088-002	Flange Assembly, 2.5" FNPT	1
10088-003	Flange Assembly, 2" FBSP	1
10088-006	Flange Assembly, 1.5" FNPT	1
10088-007	Flange Assembly, 1.5" FBSP	1
10137-001	Flange Assembly, ANSI/DIN/EURO	1
10342	O-Ring, -225	1

MOUNTING HARDWARE

part number	description	qty.
7000	Gasket, Flange	1
7039	Screw, .312-18 x .75" Hex Skt Hd Cap	6
10149	Gasket, Euro Flange	1



WARRANTY AND DISCLAIMER

Nelson Big Gun sprinklers are warranted for one year from date of original sale to be free of defective materials and workmanship when used within the working specifications for which the product was designed and under normal use and service. The manufacturer assumes no responsibility for installation, is limited solely to replacement or repair of defective parts, and the manufacturer will not be liable for any crop or other consequential damages resulting from any defects or breach of warranty. THIS WARRANTY IS EXPRESSLY IN LIEU OF ALL OTHER WARRANTIES, EXPRESS OR IMPLIED, INCLUDING THE WARRANTIES OF MERCHANTABILITY AND FITNESS FOR PARTICULAR PURPOSES AND OF ALL OTHER OBLIGATIONS OR LIABILITIES OF MANUFACTURER. No agent, employee or representative of the manufacturer has authority to waive, alter or add to the provision of the warranty, nor to make any representations or warranty not contained herein.